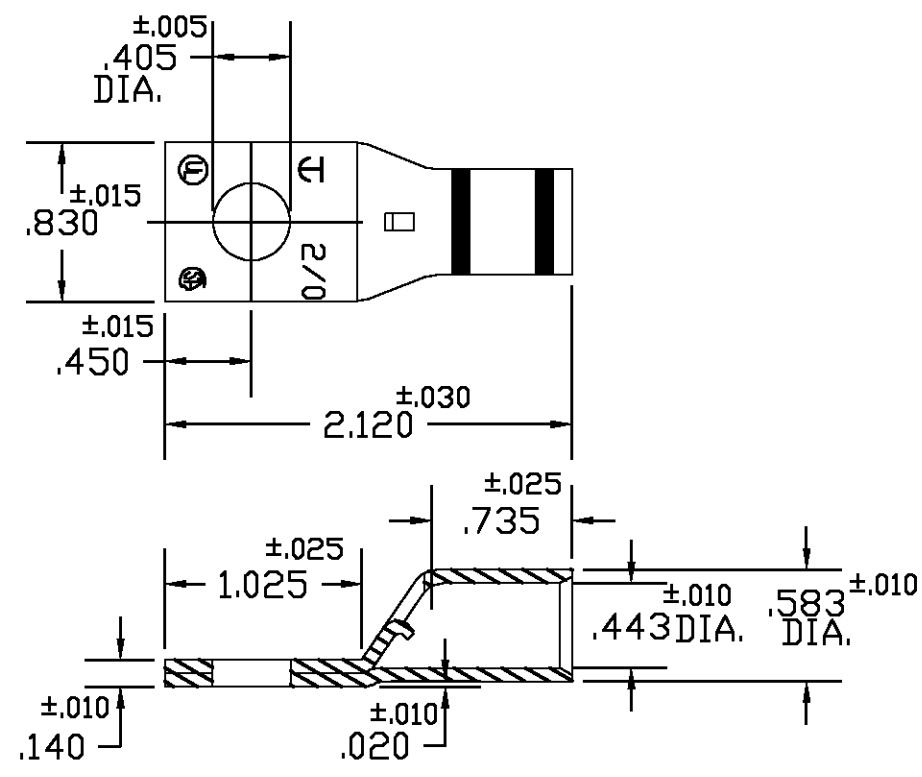


THIS DRAWING IS UNPUBLISHED. RELEASED FOR PUBLICATION
 © COPYRIGHT BY TYCO ELECTRONICS CORPORATION. ALL RIGHTS RESERVED.

LOC	DIST	REVISIONS					
G	50	P	LTR	DESCRIPTION	DATE	DWN	APVD
		A		REV PER 0G3H-0017-04	21JAN04	JR	MS



COLOR CODED BLACK

ACTIVE	20387	STANDARD	COLOR CODED	1527235-3
STATUS	AET P/N	PACKAGING	FINISH	PART NUMBER

THIS DRAWING IS A CONTROLLED DOCUMENT.		DWN D.A.A 11/15/00	Tyco Electronics Corporation Harrisburg, PA 17105-3608		
DIMENSIONS: INCHES		CHK H.D.F 11/15/00			
		APVD H.D.F 11/15/00	NAME TUBULAR TERMINAL #2/0 STD. BARREL		
TOLERANCES UNLESS OTHERWISE SPECIFIED:		PRODUCT SPEC	RESTRICTED TO		
0 PLC ± -		APPLICATION SPEC	SIZE	CAGE CODE	DRAWING NO
1 PLC ± -		WEIGHT	A3	00779	C-1527235
2 PLC ± -		CUSTOMER DRAWING	SCALE	SHEET	OF
3 PLC ± -			1:1	1	1
4 PLC ± -					REV
ANGLES ± -					A
FINISH					
MATERIAL COPPER ASTM B-75					